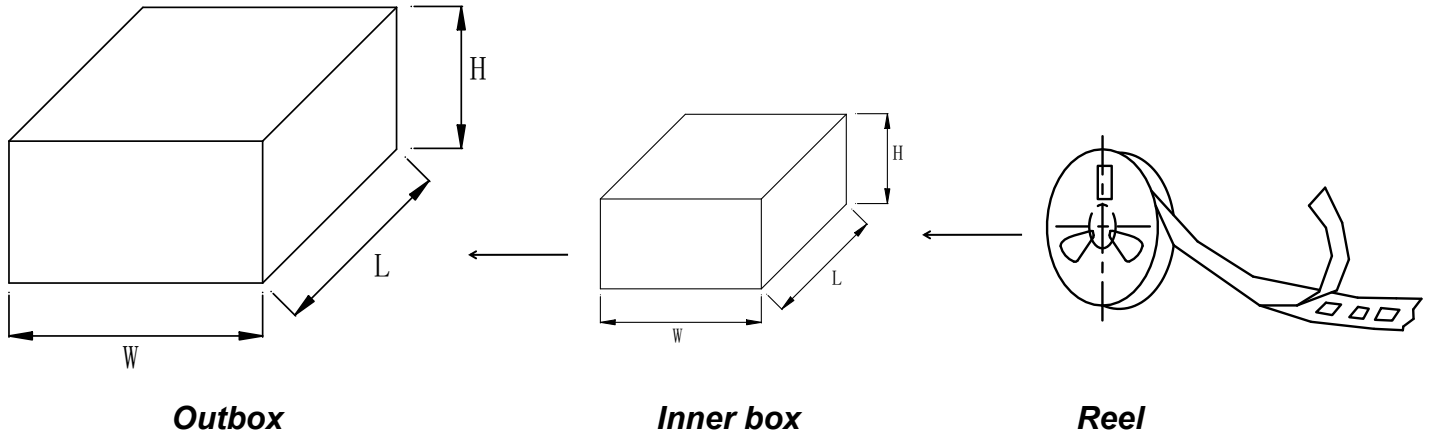


B146, Rev. -

1. Finish Goods PKG photo



2. Packing method



13" Reel Outbox



7" Reel Outbox

Notes: 13" reel is black.
7" reel is blue.

Fig.1- Reel pack for SMD

3. Product orientation

Standard product orientation SOD-123

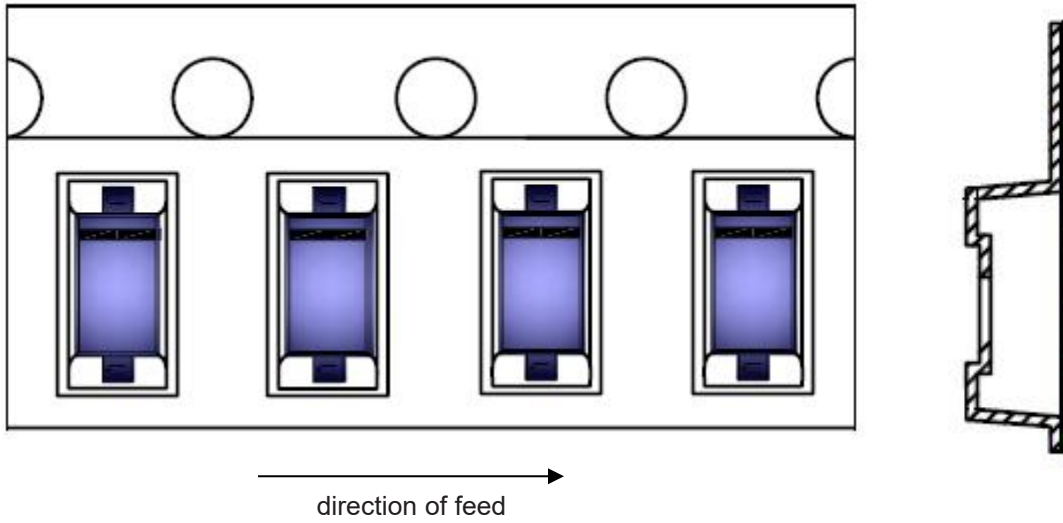
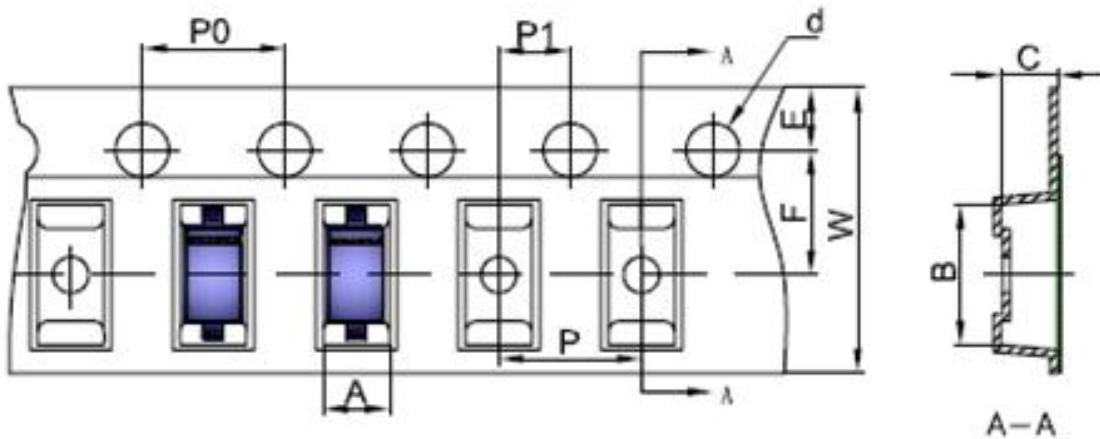


Fig 2. Product orientation in carrier tape

4. Carrier tape dimensions



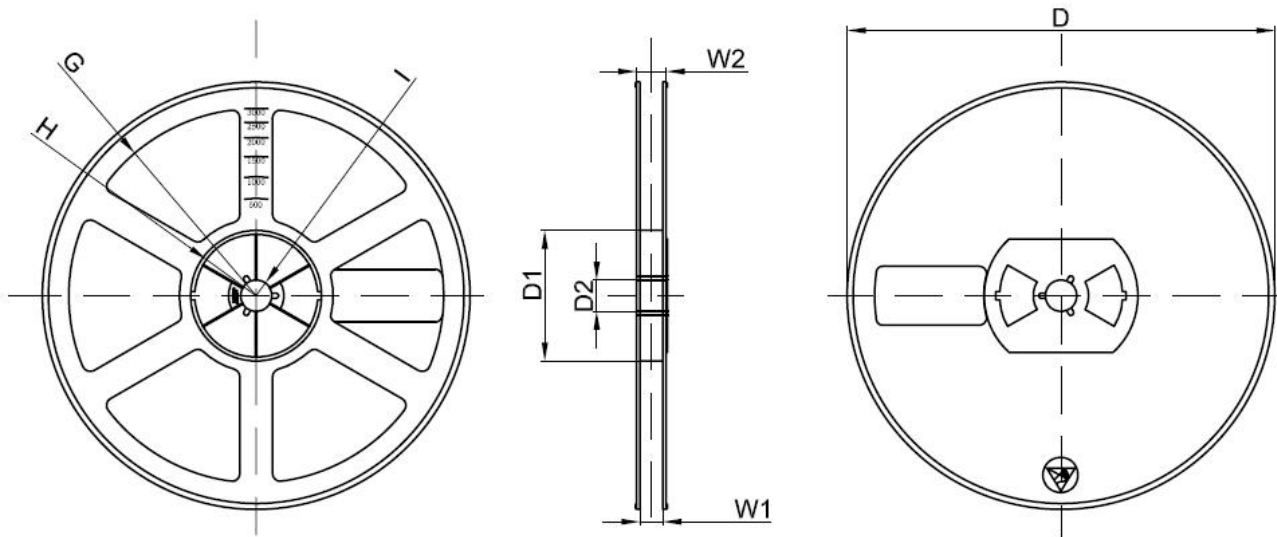
Dimensions are in millimeter										
Pkg type	A	B	C	d	E	F	P0	P	P1	W
SOD-123	1.85	3.94	1.57	Φ1.55	1.75	3.50	4.00	4.00	2.00	8.00
(Tolerance)	±0.05	±0.05	±0.05	±0.1	±0.1	±0.1	±0.1	±0.1	±0.1	±0.1

Fig 3. Carrier tape dimensions

SOD-123 Packing information

B146, Rev. -

5. Reel dimensions



Dimensions are in millimeter								
Reel Option	D	D1	D2	G	H	I	W1	W2
7"	Φ 178	54.4	13	R78	R25.6	R6.5	9.1	12.3
13"	330	60	30	R280	R30	-	9.5	13
(Tolerance)	±2	±1	±1	±1	±1	±1	±1	±1

Fig 4. Reel dimensions

6. Packing information

Package version	Reel dimensions φ×H (mm)	Per reel (pcs)	Reel Weight (Kg)	Reels per Inner box	Inner box(pcs)	Inner box dimensions L×W×H (mm)	Inner box weight (Kg)	Outer box dimensions L×W×H (mm)	Outer box (pcs)	Outer box weight (Kg)
SOD-123 7"	Φ178*12.3	3000	0.11	15	45K	203*203*195	1.25	440*440*230	180K	6.8
SOD-123 13"	Φ330*13	10000	0.374	3	30K	336*336*48	1.272	445*355*365	240K	11.165